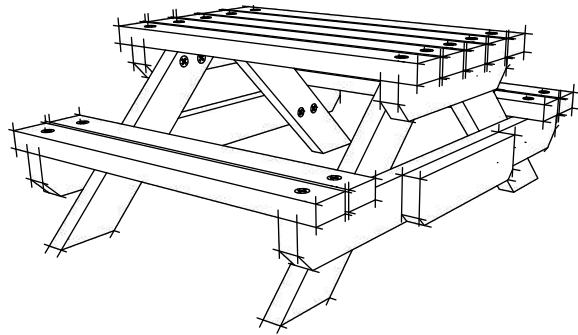


The Squirrel Picnic Table Feeder



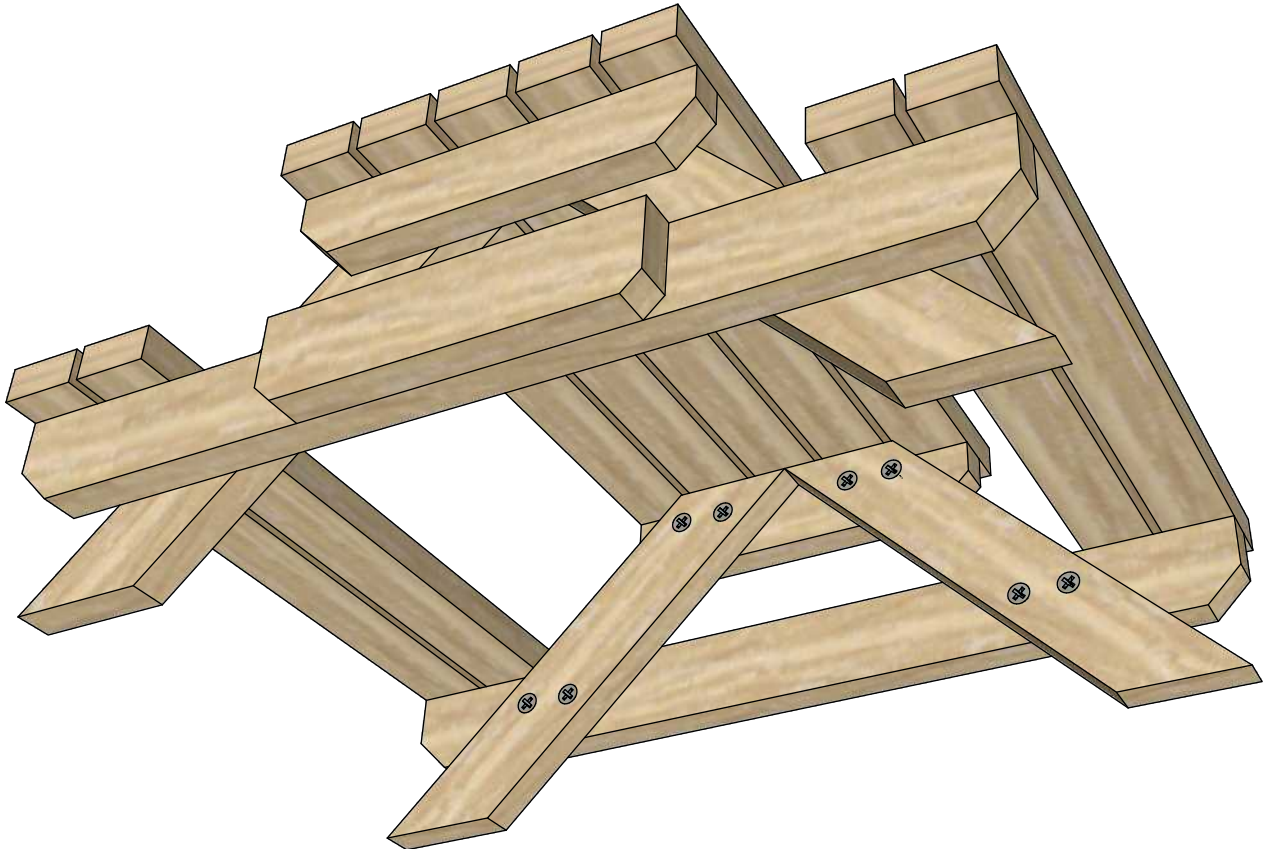
<https://www.youtube.com/c/MatthewPeechWoodworkingAndDIY>

Perspective



<https://www.youtube.com/c/MatthewPeechWoodworkingAndDIY>

Perspective

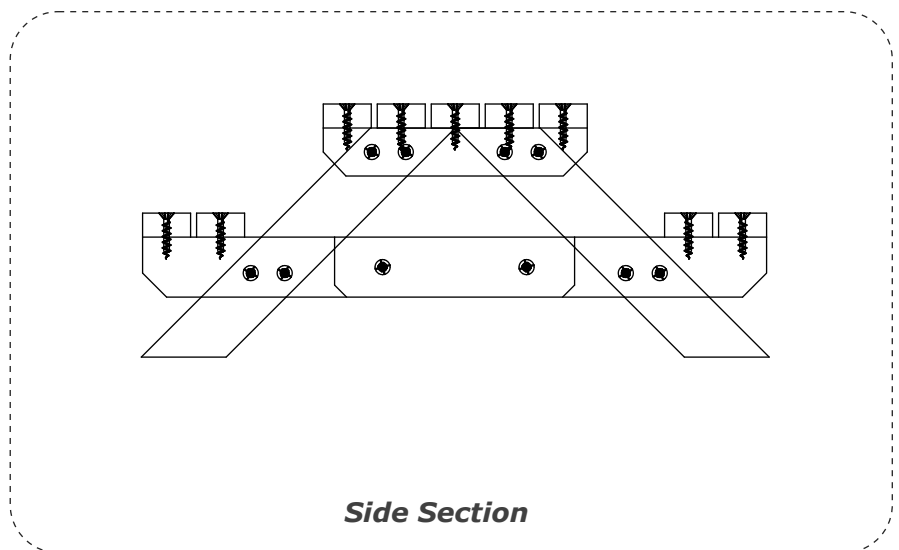


<https://www.youtube.com/c/MatthewPeechWoodworkingAndDIY>



SCAN THIS CODE
TO GO TO THE
YOUTUBE CHANEL

X-Ray

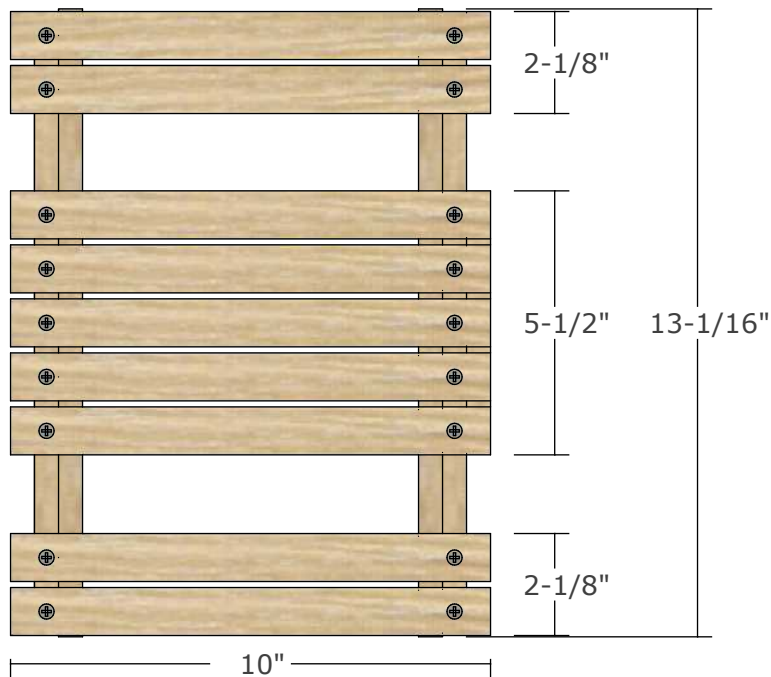
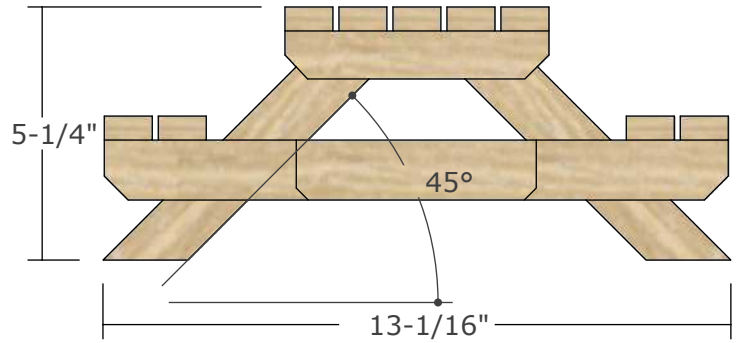
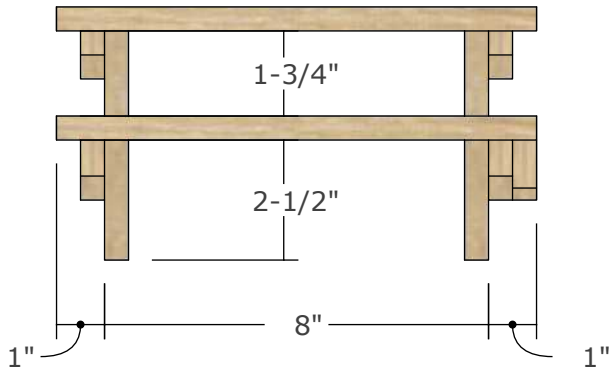


Side Section



<https://www.youtube.com/c/MatthewPeechWoodworkingAndDIY>

Overall Dimensions

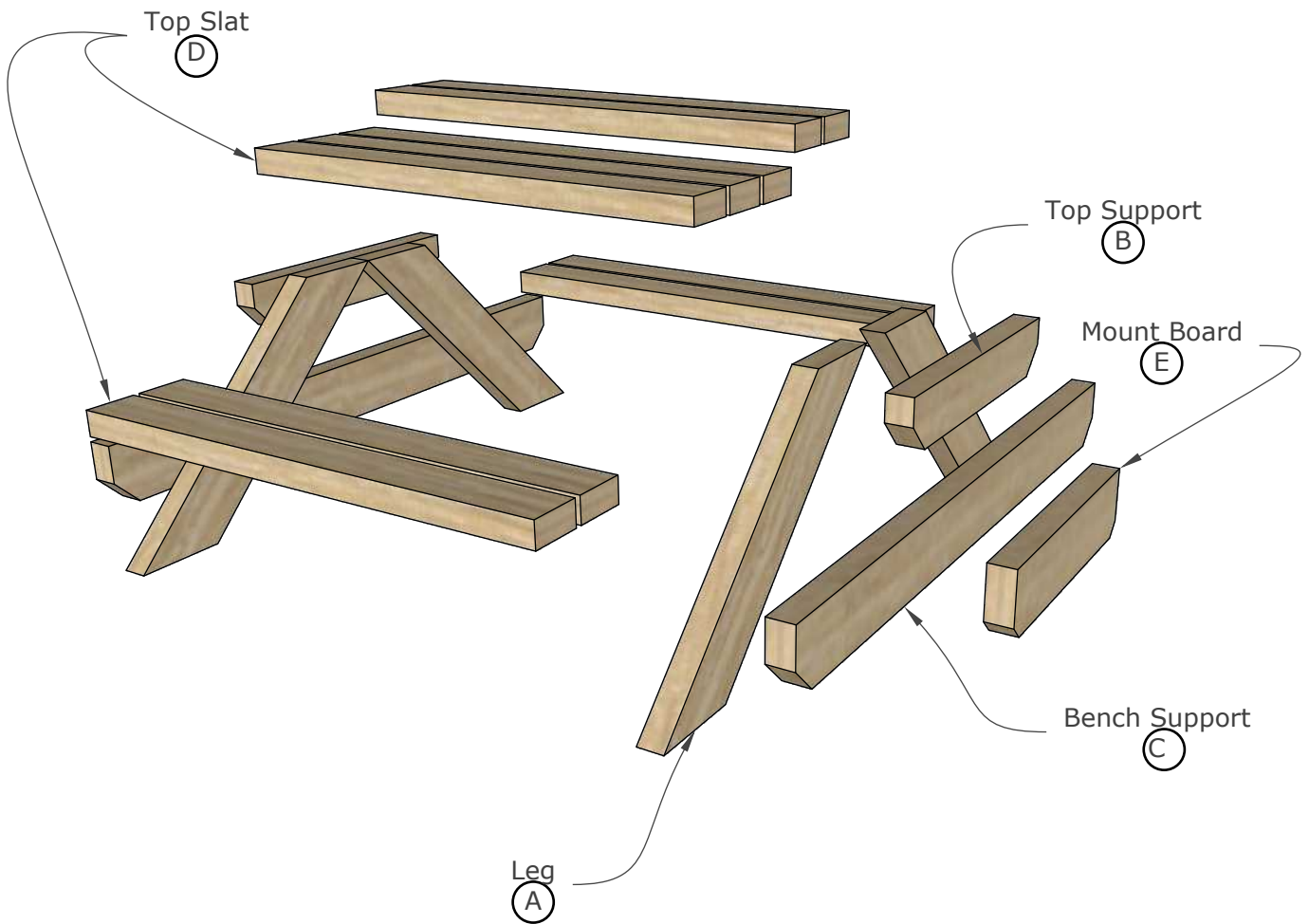


Front-Side & Top Views

3" = 1'-0" (1:4)

<https://www.youtube.com/c/MatthewPeechWoodworkingAndDIY>

Exploded View



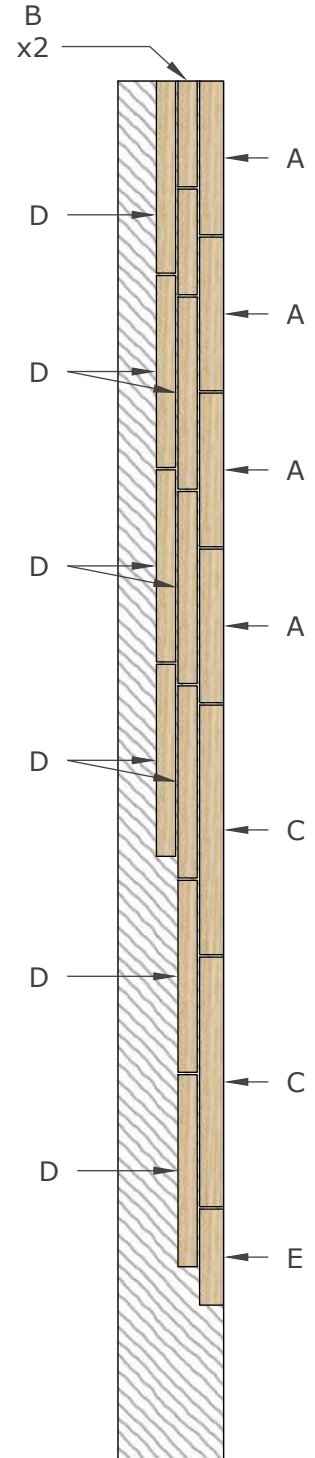
<https://www.youtube.com/c/MatthewPeechWoodworkingAndDIY>

Cutting List

Part	Designation	Quantity	Length	Width	Thickness
A	Leg	4	8"	1 1/4"	1/2"
B	Top Support	2	5 1/2"	1"	1/2"
C	Bench Support	2	13"	1 1/4"	1/2"
D	Slat	9	10"	1"	1/2"
E	Mount Board	1	5"	1 1/4"	1/2"

Cutting Layout

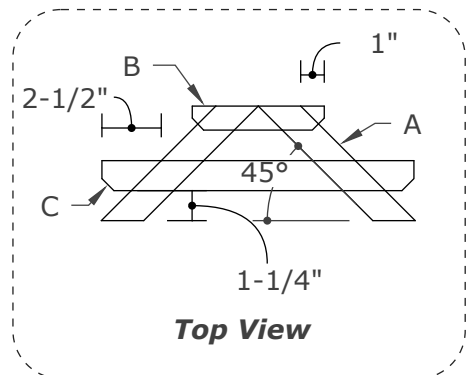
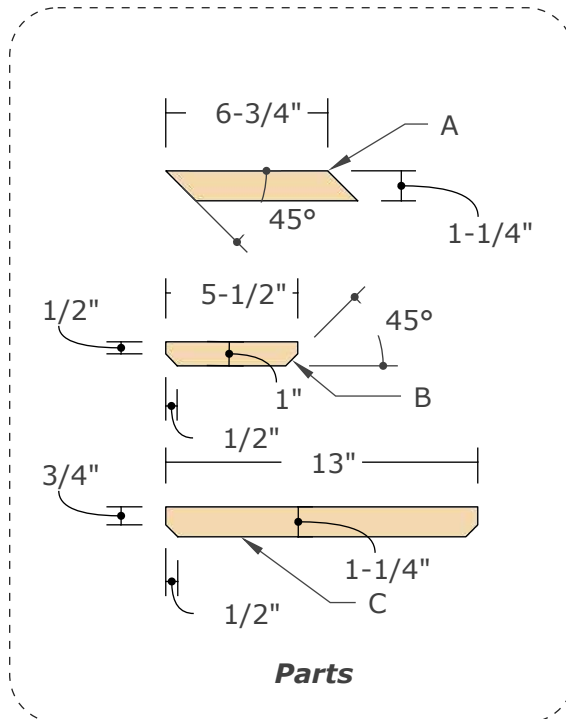
All parts cut from one 1/2" x 5 1/2" x 72" fence picket.



<https://www.youtube.com/c/MatthewPeechWoodworkingAndDIY>

1 Assemble Legs:

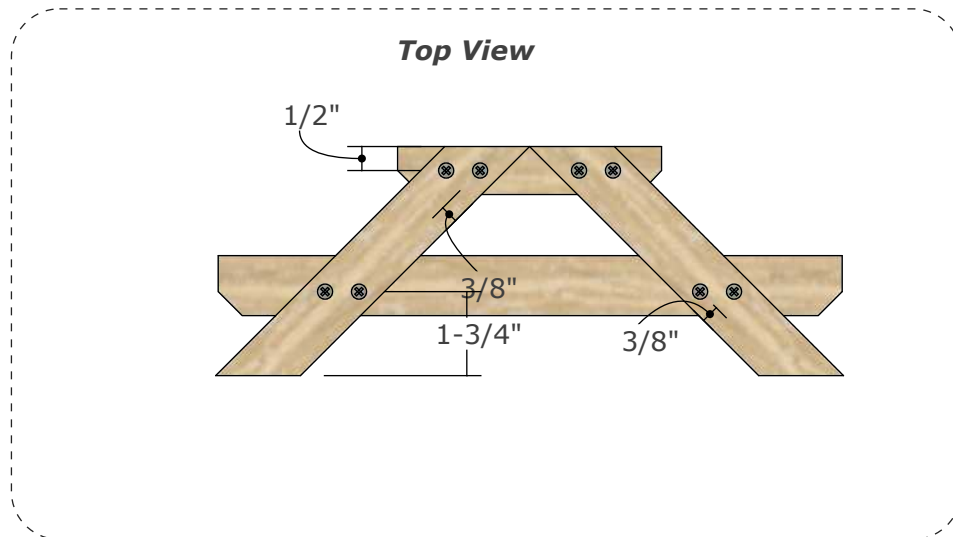
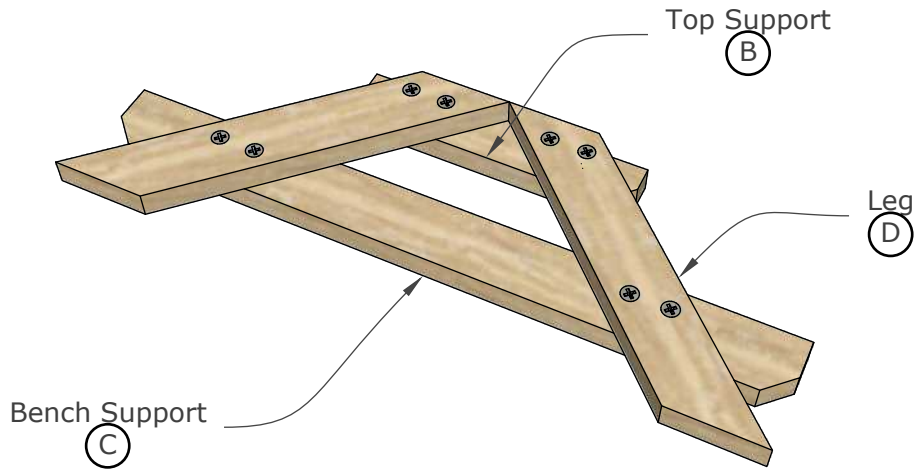
With the tips of two legs touching and the opposite ends square, install the top support and bench supports. Use exterior wood glue and a brad nail to hold into place.



<https://www.youtube.com/c/MatthewPeechWoodworkingAndDIY>

2 Legs Screw Placement:

Pre-drill and Install 1" exterior screws from the back of leg assembly as shown.



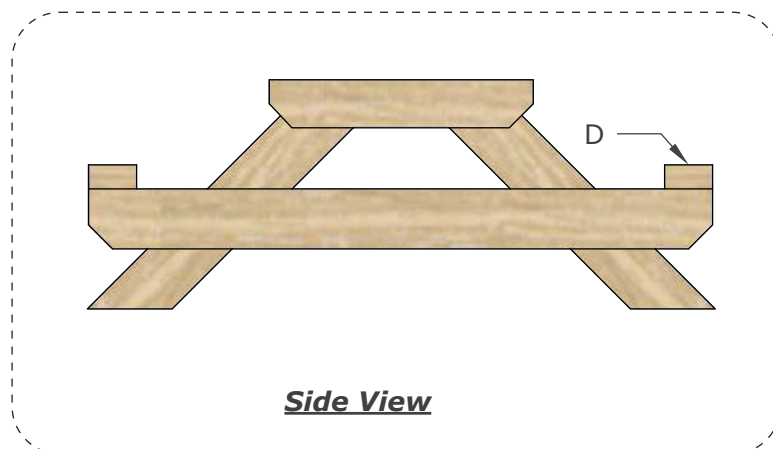
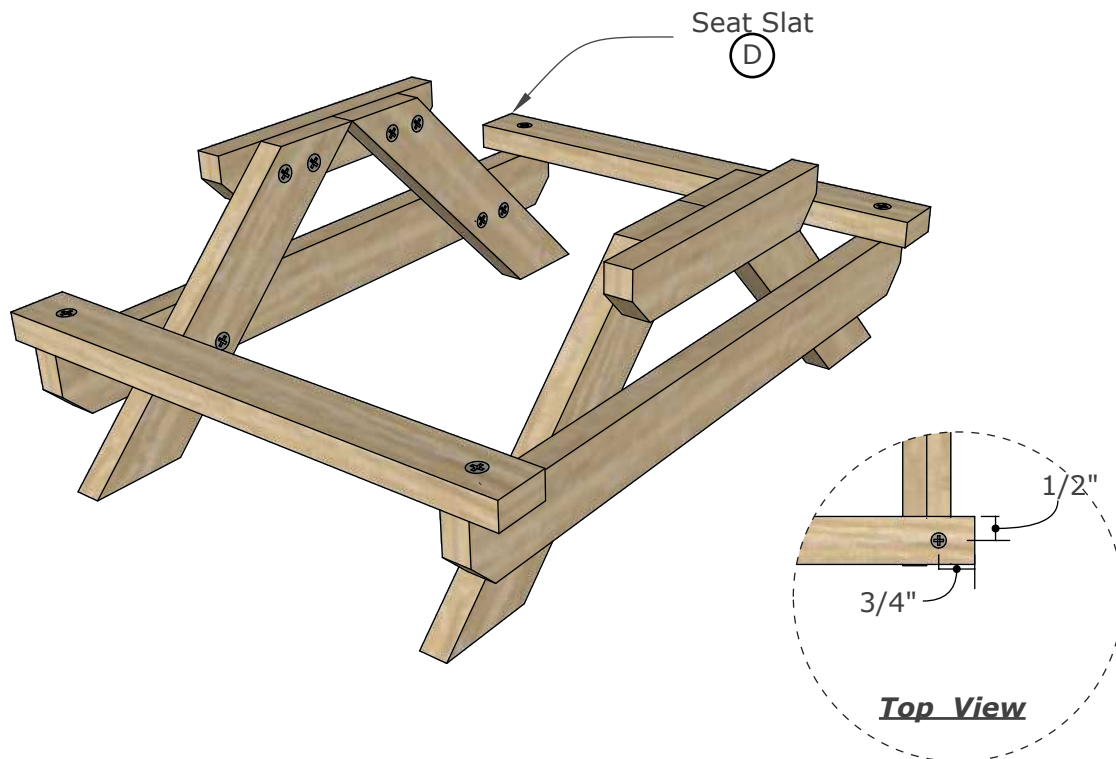
<https://www.youtube.com/c/MatthewPeechWoodworkingAndDIY>

3 Attach Slats:

Pre-drill all slat Boards $3/4$ " from the ends and $1/2$ ".

Install using wood glue and 1" exterior screws.

Start by installing the two outer seat boards flush with the edges of the seat braces leaving $1/2$ " overhang.

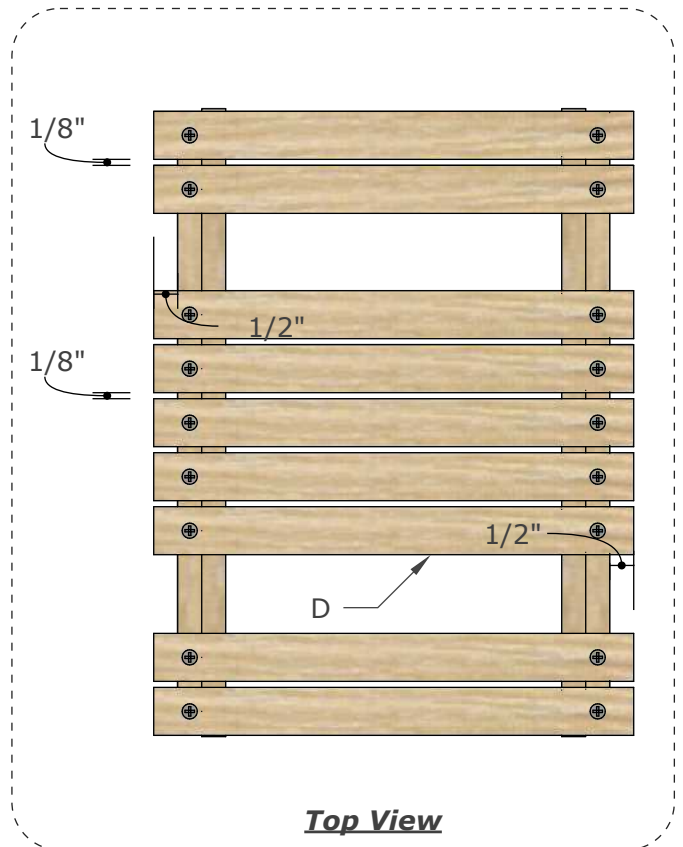
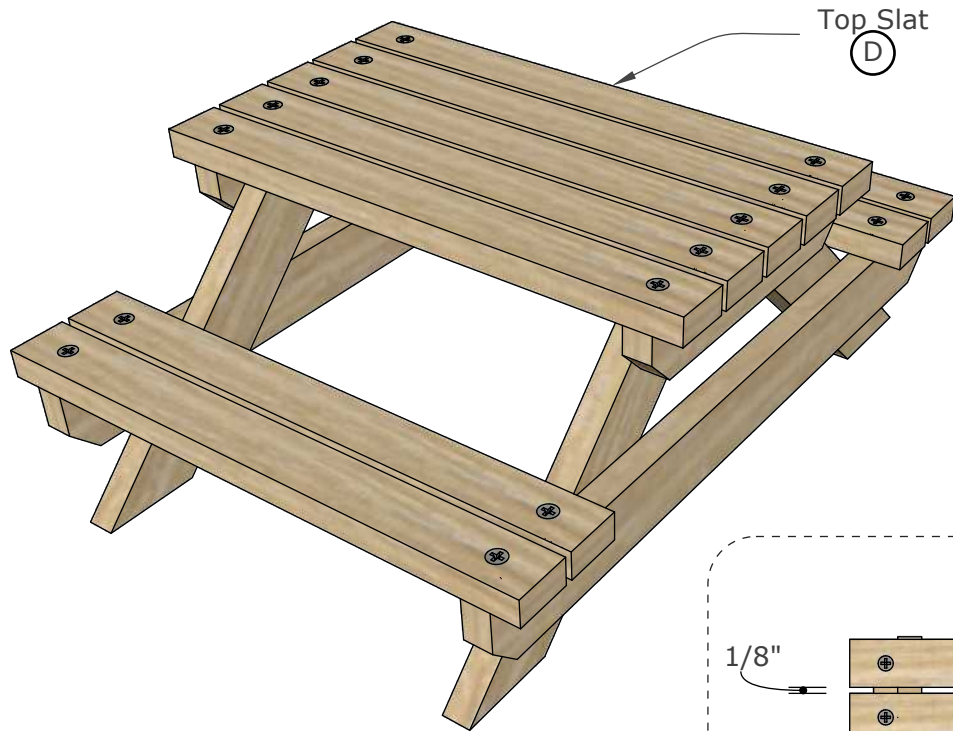


<https://www.youtube.com/c/MatthewPeechWoodworkingAndDIY>

4 Install Remaining Slats:

Install remaining seat slats leaving a 1/8" gap between boards. 1/2" overhang will be used for all slats.

Install table top slats starting with the outer two. They will be flush with the edge of the top support and 1/2" overhang. Install the remaining three slats in the center using equal spacing and 1/2" overhang.



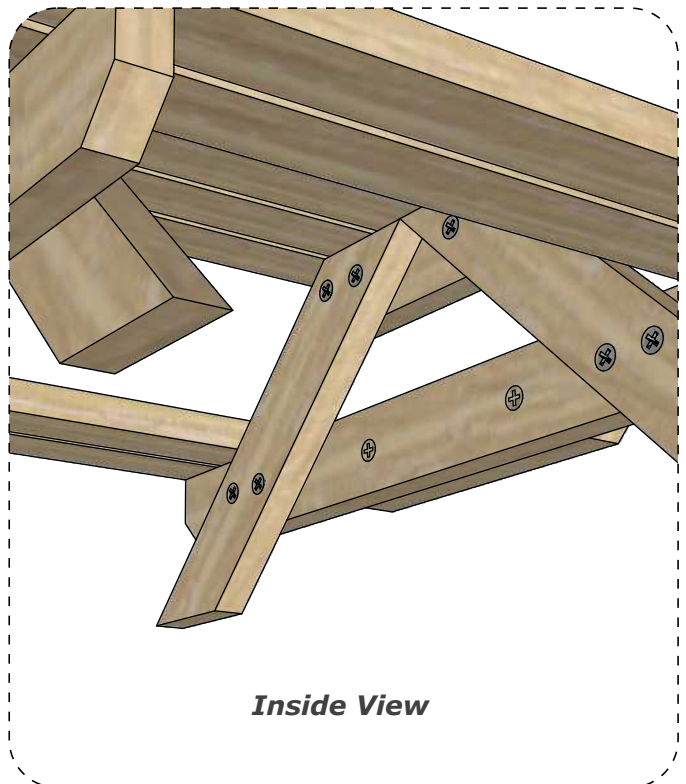
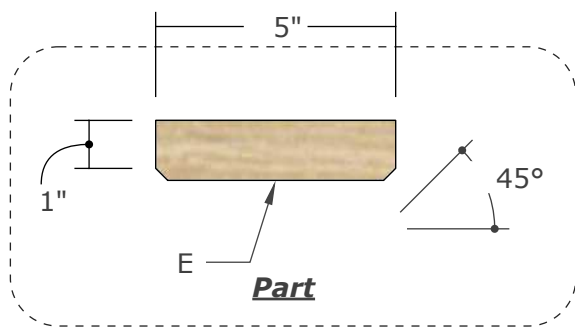
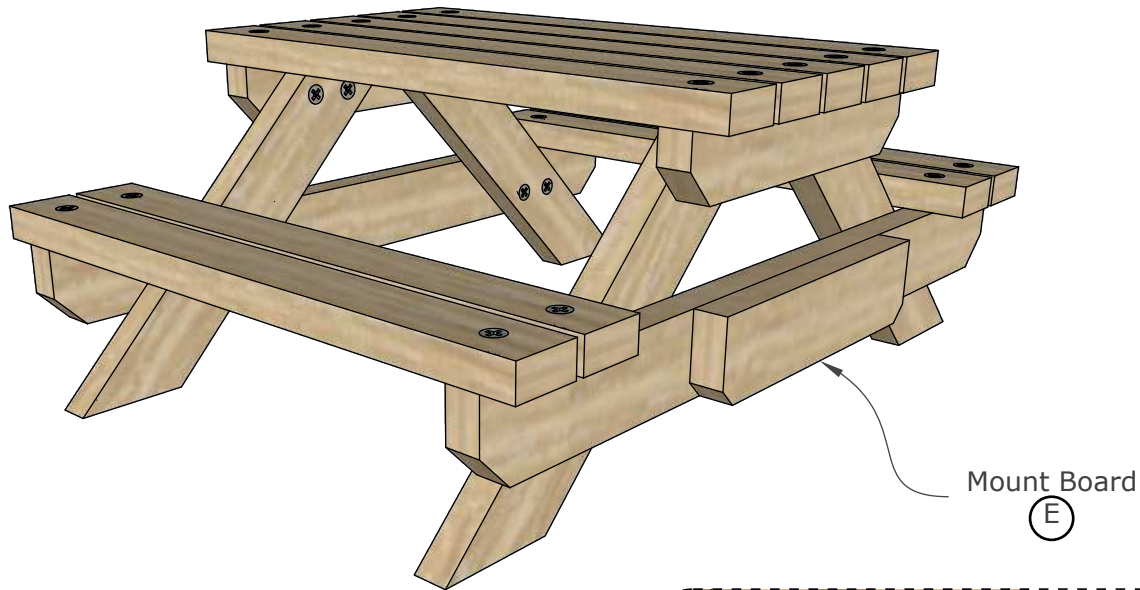
<https://www.youtube.com/c/MatthewPeechWoodworkingAndDIY>

5 If Installing Into a Tree:

Attach tree mount board to one seat support board using exterior wood glue and two 1" screws from the inside.

**This makes the table top even with the supports.*

If installing into a tree: Pre-drill and use 3" exterior screws (two or three). Screw spacing will depend on the tree size.

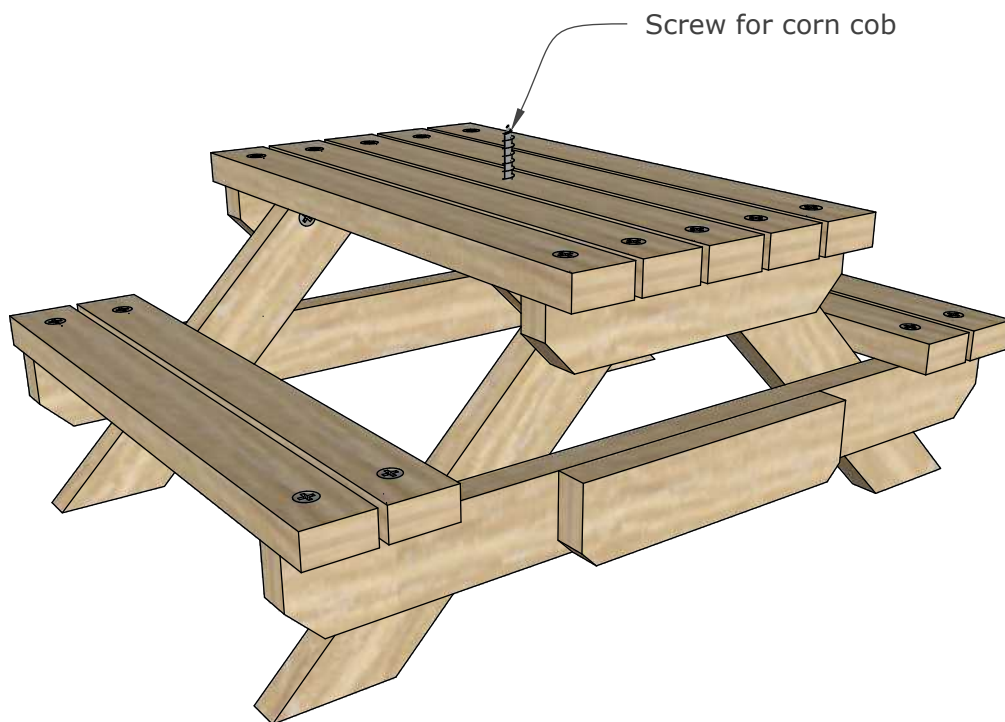


<https://www.youtube.com/c/MatthewPeechWoodworkingAndDIY>

6

Corn Cob Screw:

Install screw in center of table top for corn cob if desired.



<https://www.youtube.com/c/MatthewPeechWoodworkingAndDIY>